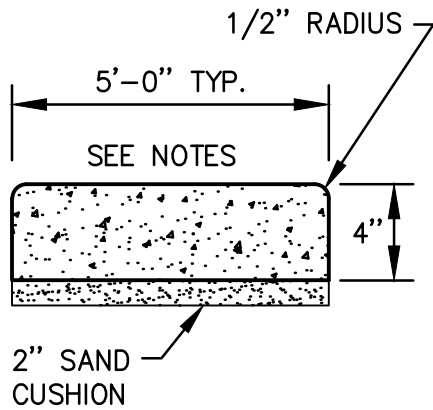
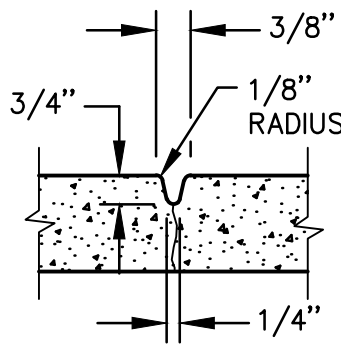


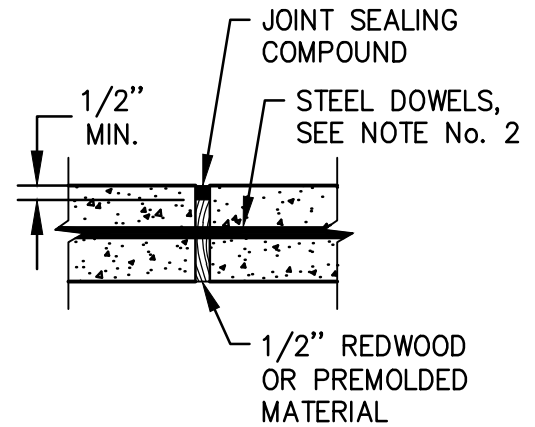
# 4" CONCRETE SIDEWALK



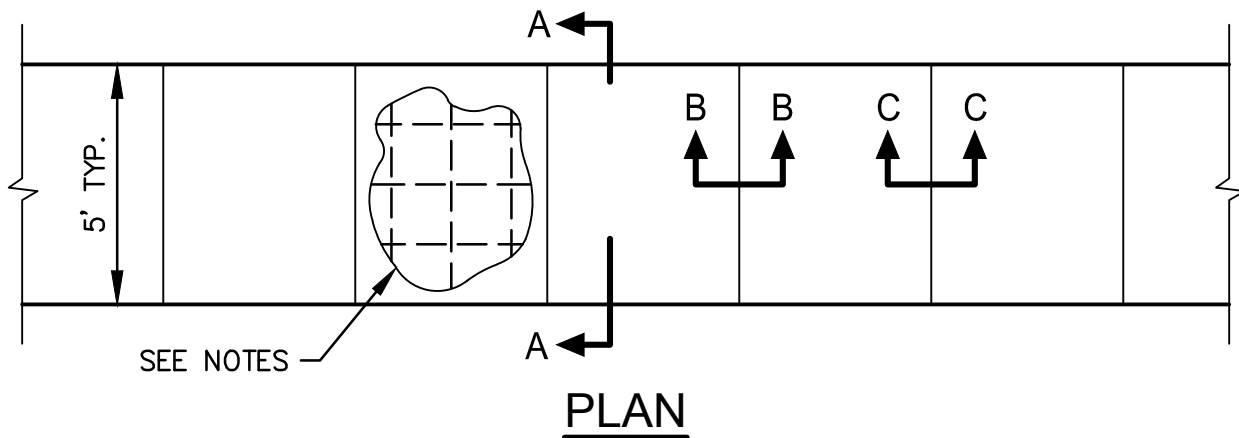
**SECTION A - A**



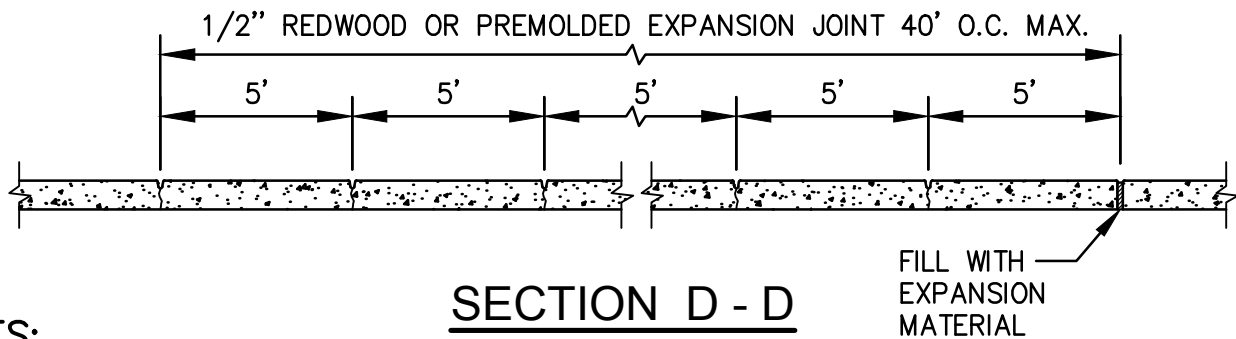
**SECTION B - B**



**SECTION C - C**



**PLAN**



**SECTION D - D**

FILL WITH EXPANSION MATERIAL

**NOTES:**

1. LONGITUDINAL AND/OR TRANSVERSE REINFORCEMENT: #3 BARS SPACED AT 18" C-C.
2. EXPANSION JOINTS, DOWEL WITH #4 x 24" BARS AT 12" C-C , 12" THRU EXPANSION JOINT. USE AT CONNECTION TO EXISTING CONCRETE SIDEWALKS, DRIVEWAYS, OR CURBS.
3. CROSS SLOPE TO BE 1/4" PER FOOT.
4. CONCRETE SHALL BE 3600 PSI.

**FEBRUARY 2018**

NOT TO SCALE

REVISIONS:



*City of Benbrook*  
 911 Winscott Road  
 Benbrook, Texas 76126  
 817-249-3000

**SIDEWALK, JOINT**  
**SP-010**