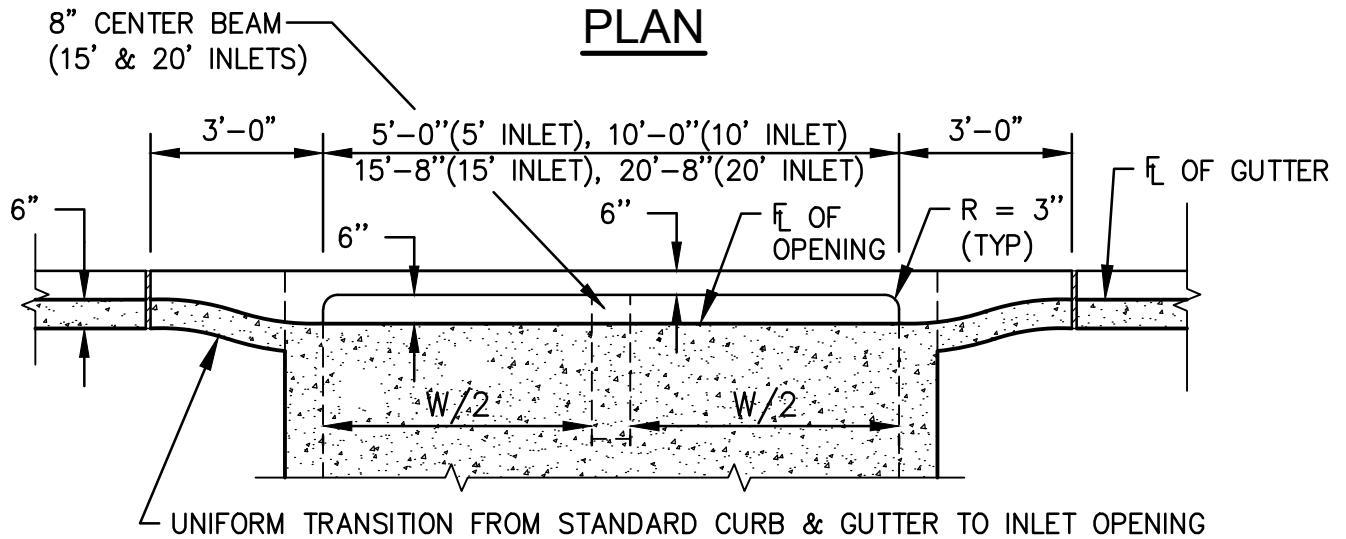


PLAN



SECTION A - A

NOTES:

1. INLETS GREATER THAN 10'-0" SHALL HAVE TWO (2) MANHOLE COVERS AND A CENTER BEAM.
2. FOR SECTIONS B-B AND C-C, SEE SHEET SD-003.

FEBRUARY 2018

NOT TO SCALE

REVISIONS:



City of Benbrook
911 Winscott Road
Benbrook, Texas 76126
817-249-3000

CURB INLET
SD-002