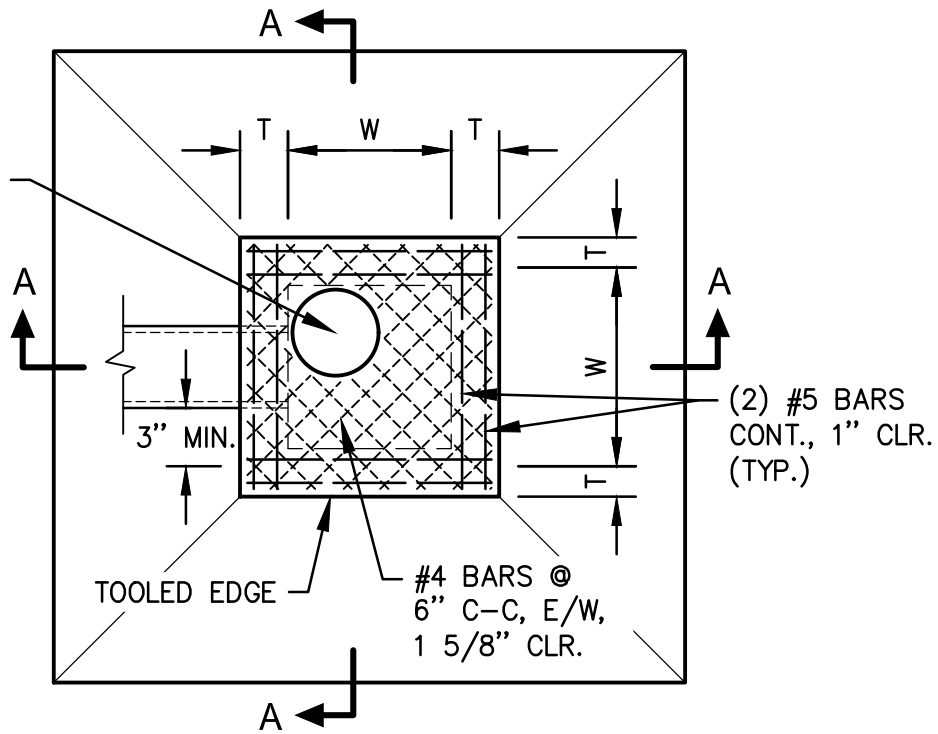
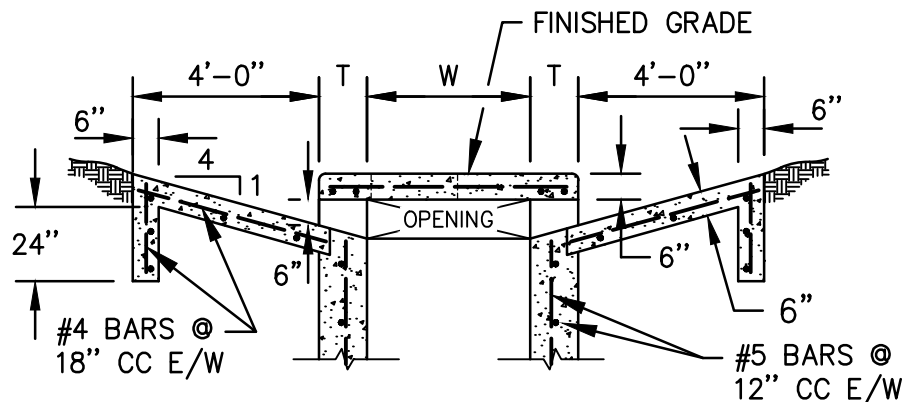


30" STANDARD MANHOLE COVER AND FRAME



**PLAN**



**SECTION A - A**

**NOTES:**

1. REINFORCED STEEL SHALL HAVE A COVER OF 1 1/2", UNLESS OTHERWISE NOTED.
2. DEPTH OF DROP INLET FROM FINISHED GRADE TO FLOW LINE OF INLET IS VARIABLE. DEPTH SHOWN ON PLANS AT LOCATION OF INLET.
3. BASE TO BE 8" THICK w/ # 4 BARS @ 12" EW, 2" CLR.
4. CONCRETE SHALL BE 4000 PSI @ 28 DAYS.

INLET SIZE	INLET CAPACITY cfs	WALL THICKNESS "T"	WIDTH OF OPENING "W"
2' SQ.	8.5	7"	2'-0"
4' SQ.	10.0	7"	4'-0"
5' SQ.	21.0	8"	5'-0"
6' SQ.	25.5	9"	6'-0"
7' SQ.	30.0	9"	7'-0"
8' SQ.	34.0	9"	8'-0"

FEBRUARY 2018

NOT TO SCALE

REVISIONS:



**City of Benbrook**  
 911 Winscott Road  
 Benbrook, Texas 76126  
 817-249-3000

**AREA INLET**  
 SD-004